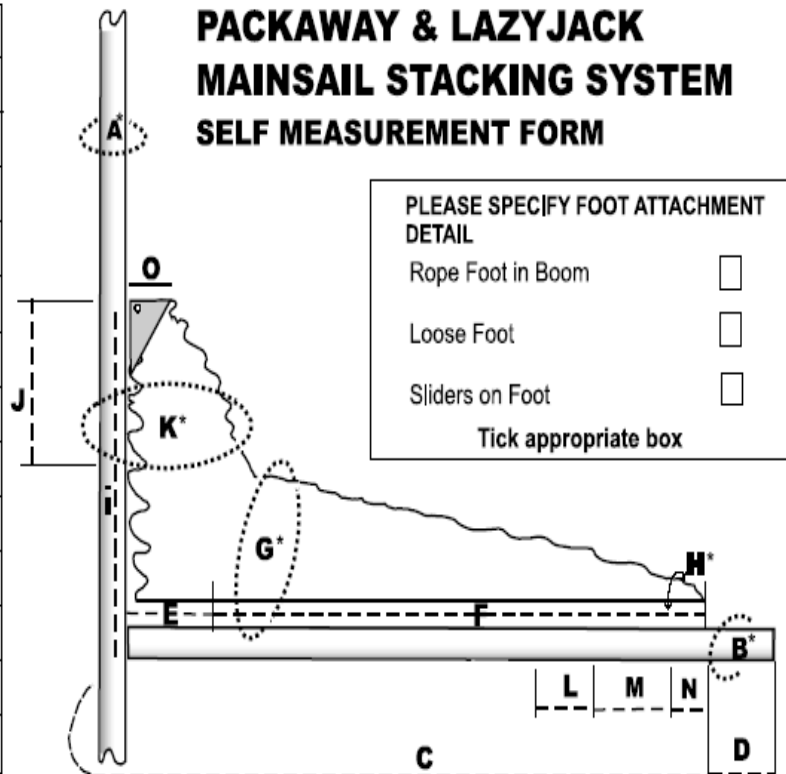




Marshall Marine Textiles

A	Circumference of Mast	
B	Circumference of Boom	
C	Length of Sail from centre front of Mast	
D	From end of Sail to end of Boom	
E	From aft face of Mast to beginning of Boom groove	
F	Length of Sail in Boom groove	
G	Circumference 6" aft of 'E'	
H	Circumference 6" forward from end of Sail	
I	Height of Sail from underside of Boom	
J	Dimension to circumference 'K'	
K	Circumference at dimension 'J'	
L	Position of Third Reef on Boom from 'M'	
M	Position of Second Reef on Boom from 'N'	
N	Position of First Reef on Boom from end of Sail	
O	Width of Mainsail Headboard	
P	Luff length of Mainsail	

PACKAWAY & LAZYJACK MAINSAIL STACKING SYSTEM SELF MEASUREMENT FORM



Contact Richard Marshall
 Marshall Marine Textiles, Ballymore, Cobh, Co. Cork
 Tel; 021 4814447 Mob; 086 6686281
 Email; rmcobh@eircom.net
 VAT no, 5313126L